

Institutional/Home Phototherapy Products

Hand/Foot II Specifications

- ◆ Electronic digital timer
- ◆ Sturdy, protective lamp shield
- ◆ Full reflector backing to maximize UV output
- ◆ Ballasts designed for high UV output
- ◆ Ventilating fan—100 C.F.M.
- ◆ Goggles and operating manual supplied with unit

- ◆ Dimensions

24"W x 20"D x 12-3/4"H

- ◆ Units

UVA - (8) High Output UVA Lamps

UVB - (8) High Output UVB Lamps

UVA/UVB - (4) High Output UVA Lamps
- (4) High Output UVB Lamps

UVB/NB - (8) 311nm UVB/NB Lamps

- ◆ Electrical

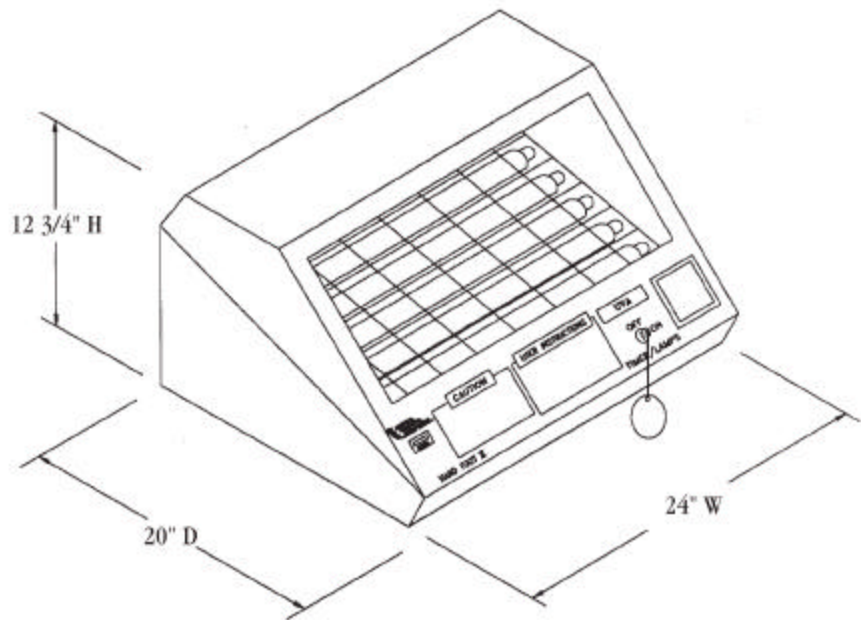
110-120V VAC 60 Hz

3.0 Amps with grounded plug



- ◆ Shipping Weight—74 lbs.

(Actual Unit Weight—68 lbs.)



Other Features:

- ◆ Shipped fully assembled
- ◆ One-year warranty (excluding lamps)
- ◆ Insurance reimbursable, in most cases, when purchased for home use and prescribed by a physician



Optional Hand/Foot Cart

The sturdy Hand/Foot Cart accommodates two Hand/Foot units at a comfortable height for patient treatment. Heavy duty casters make it easy to move the cart throughout the office.

29" W x 32" H x 17" D upper
21.5" D lower