



---

## **Sales Information for enquiries for DELTA 20 and Photo Adaptor**

Appendixes 1 and 2 answer the following, oft-repeated questions and serve as aids for potential consumers in making the right decisions:

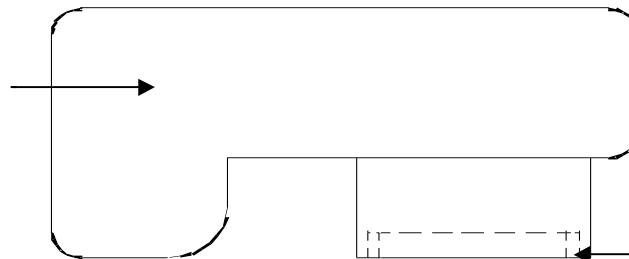
- 1) "Which digital camera can I use with the DELTA 20?" → Appendix 1
- 2) "Can I use my own digital camera xy with the DELTA 20 for digital dermatoscopy?" → Appendix 2
- 3) "Can I use the camera xy, even if it is not been recommended by you?" → Appendix 2

## Recommended Cameras for the "DELTA 20" using HEINE Photo Adaptor 52

Manufacturer	Type	Lens	Soligor Adaptor / Connector	Canon / Nikon Adaptor
Nikon	Coolpix 4300*	-	57965	-
	Coolpix 8400*	-	57986	-
	Coolpix P5000	-	57982	-
	Coolpix P5100	-	57982	-
Canon	PowerShot A95*	-	57912 oder	LA-DC52D
	PowerShot A510*	-	57990 oder	LA-DC52F
	PowerShot A520*	-	57990 oder	LA-DC52F
	PowerShot A540*	-	57990 oder	LA-DC52F
	PowerShot A570 IS	-	-	LA-DC52G
	PowerShot S80	-	57919 und	LA-DC20
	EOS 350 D*	Canon: EF-S 18-55 f 3,5-5,6; Ø 58mm	57917 58mm auf 52mm	-
	EOS 400 D	Canon: EF-S 18-55 f 3,5-5,6; Ø 58mm	57917 58mm auf 52mm	-

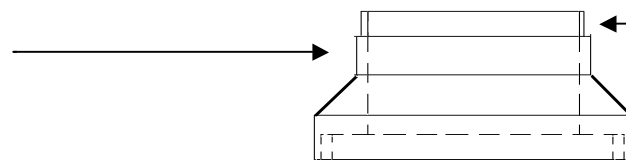
\*no longer available

**Kamera**  
Nikon or Canon



Camera-depen  
Thread or Bayc

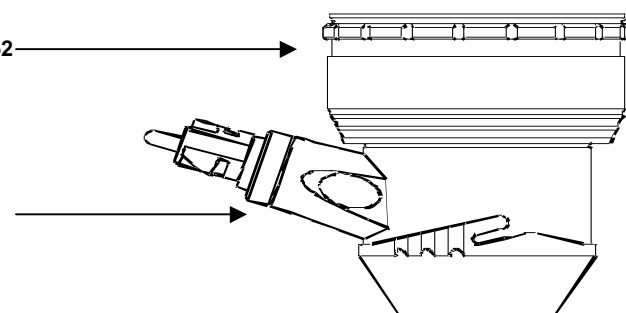
**Adaptor**  
Supplied by Soligor,  
for Nikon or Canon



Camera-depen  
Thread or Bayc

M 52x0,75

**HEINE Photo Adaptor 52**  
K-00.34.236



M 52x0,75

**DELTA 20**  
K-08.34.201

## Appendix 2

### Assessment of non-recommended digital cameras, for use with DELTA 20.

- 1) Does your current camera case have a thread or a bayonet connector?
  - a. If thread or bayonet → Proceed to Question 2
  - b. If neither thread or bayonet → The photo adaptor can only be clamped to the optics housing, if at all → Safe usage is ensured only if operated with both hands and essentially depends on the quality of the fixture → proceed to Question 2
  
- 2) Are camera-specific adaptors with a thread diameter of 52mm available from dealers of photo-equipment (for instance, the website <http://www.soligor.de>, <http://www.hama.de/>) or from the camera manufacturers?
  - a. If yes → Test the camera-specific adaptor for compatibility with the HEINE photo adaptor (K-00.34.236) → Proceed to Question 3.
  - b. If no → The existing digital camera can not be used.
  
- 3) Look at one particular lesion and subjectively assess the image quality of the digital photo with the image quality of your HEINE Dermatoscope.
  - Is the scale of the DELTA 20 completely visible in the digital photo or do you see a visual field of about 10 mm x 7 mm?
  - Does body hair appear in good contrast over the whole visual field –including the borders - just as you are visually accustomed to?  
Note: As experience has shown, a slight deterioration is possible, but this is clearly visible only with a “black and white image”. It depends on the camera used.
  - Are the details of a lesion clearly visible in the same quality as in normal examination?
  - Is a straight line in the digital photo free of distortion as in normal examination?
  - Can you take a whole-body photograph with the camera-specific adaptor tube affixed to the HEINE photo adaptor, so that you can photograph a 1,5m body section from a distance of about 2m?
  - Were you able to answer all the questions with “YES?”
    - a. If yes → Your current digital camera can be used with the camera-specific adaptor and the HEINE photo adaptor (K-00.34.236).
    - b. If no → Your current digital camera can be adapted but the picture quality or the handling will be compromised.